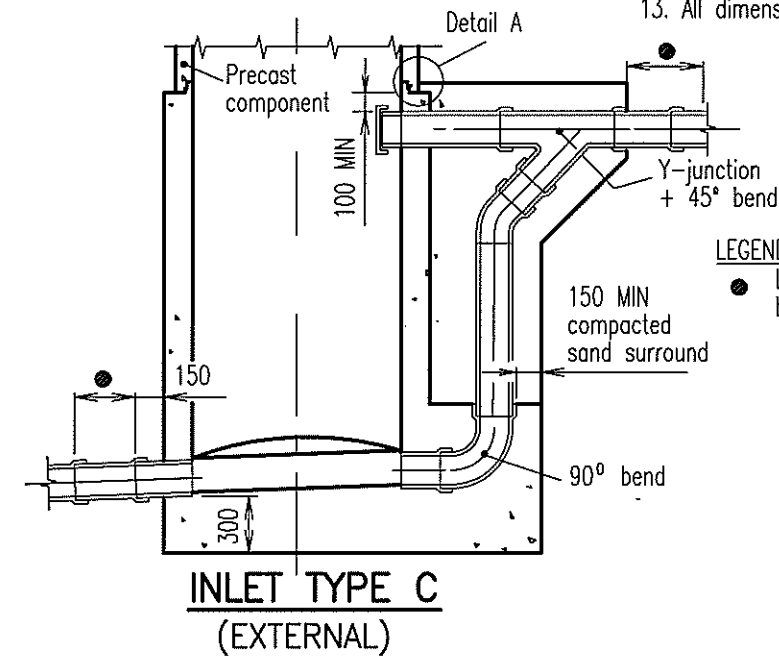
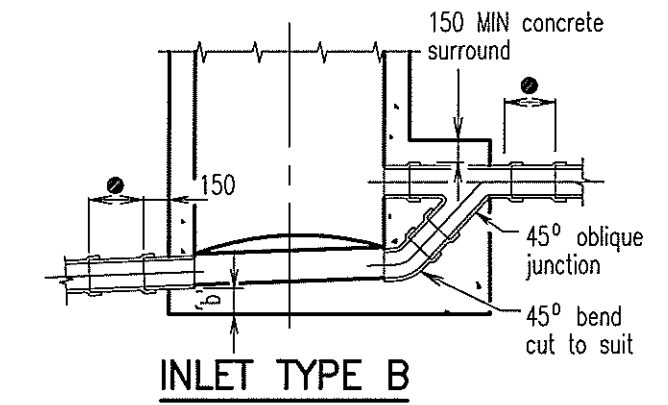
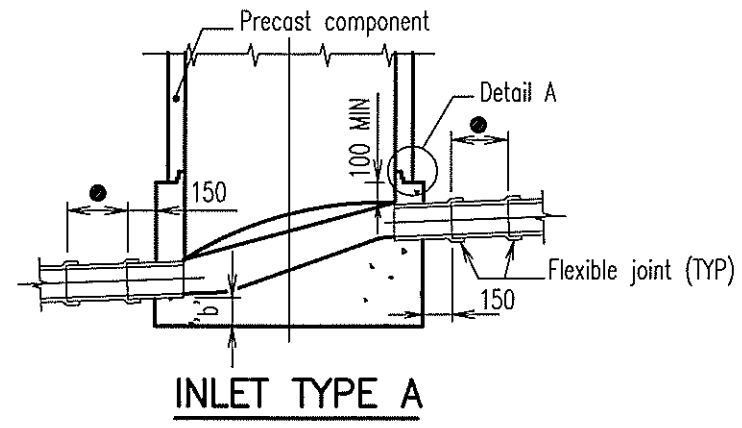
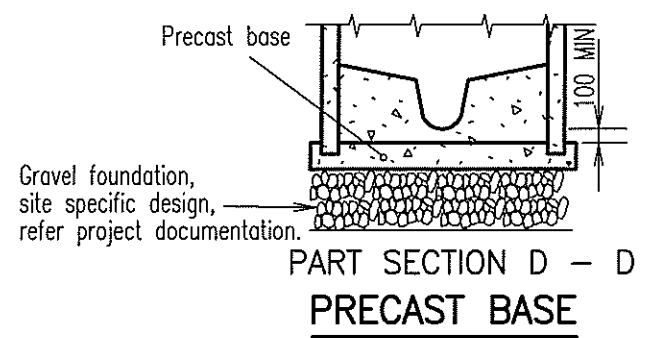
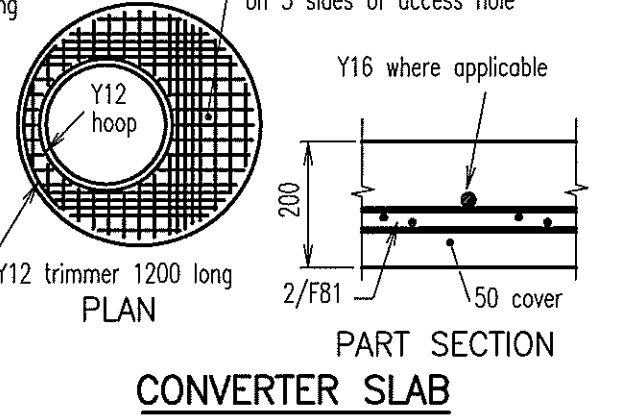
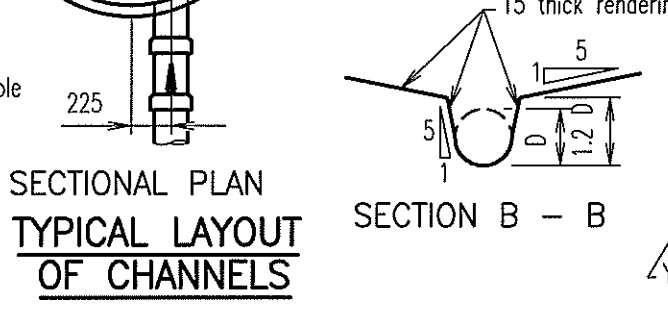
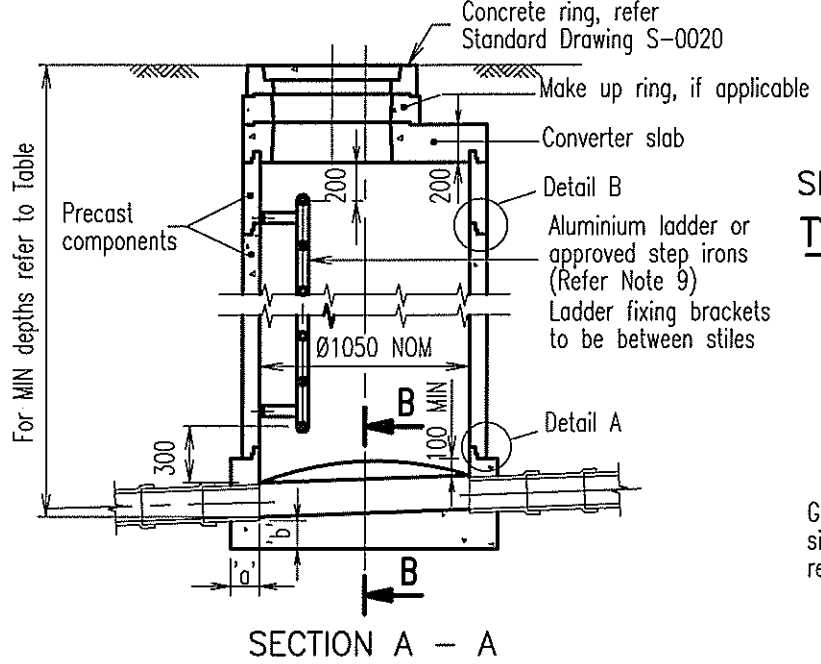


PIPE SIZE	INLET DROP - DEPTH RANGE					
	V C PIPE			uPVC PIPE		
	TYPE A	TYPE B	TYPES C&D	TYPE A	TYPE B	TYPES C & D
Ø150	40 to 300	300 to 600	over 350	40 to 300	300 to 600	over 600
Ø225	40 to 300	500 to 800	over 550	40 to 300	500 to 1000	over 1000
Ø300	40 to 300	600 to 900	over 700	40 to 300	600 to 1500	over 1500
Ø375	40 to 300	700 to 1000	over 900	40 to 300	1000 to 2100	over 2100

MINIMUM DEPTHS	
Outlet Pipe Size	Minimum Depth to Outlet Invert
Ø150	1500 + (Type A fall-100)
Ø225	1575 + (Type A fall-100)
Ø300	1650 + (Type A fall-100)
Ø375	1725 + (Type A fall-100)

CRITICAL DIMENSIONS		
Depth to outlet invert	Thickness	
	a	b
Minimum to 3000	150	150
3000 to 6000	225	300

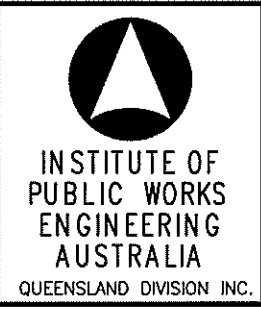


- NOTES**
- Minimum fall through chambers shall be 40mm.
  - Concrete shall be
    - Class N32 for in-situ concrete
    - Class N40 for pre-cast segments both in accordance with AS 1379 and AS 3600.
  - All fasteners shall be Grade AS2837/316 stainless steel. Unless otherwise noted, fasteners shall be as described below.
    - Fixing to concrete - bolts shall be approved anchors.
    - Fixing to metalwork - bolts shall be HEX head bolts.
  - Nylon or polythene separation inserts shall be used between stainless steel fasteners and aluminium sections.
  - Anti-galling lubricant "Loctite 222 or 567" or similar shall be used on all threads and between all stainless steel abutting surfaces
  - Aluminium surfaces in contact with concrete shall be painted with two coats of alkali resistant bituminous paint.
  - uPVC or GRP pipes cast into walls shall be coated or sanded for the length of wall penetration to ensure bonding.
  - Precast chambers shall not be used where :-
    - sewer lines accept pumped flows
    - sewer lines are greater than Ø375
    - chambers are greater than 6.0m in depth
  - ACCESS
    - Ladder constructed from Grade 6061-T6 aluminium to AS 2848, or
    - Step-irons constructed from Grade 6061-T6 aluminium to AS 2848, galvanized steel encapsulated with polyolefin or Grade AS2837/316 stainless steel
 Ladders and step-irons complying with AS 1657 shall only be installed where approved by Local Authority.
  - Alternative converter slab designed to Austroads W7 wheel load, dynamic factor 0.4. Precast converter slabs must be designed to same standards.
  - By pass drainage to be provided to sewer trenches and chambers where required by Local Authority.
  - Rectangular covers & frames shall be used where access chamber depth is <1500 and chamber is located in private property.
  - All dimensions in millimetres.

- LEGEND**
- Length of short pipe shall be 2 x DIA of pipe
  - Lubricate concrete surface and rubber ring before placing precast components

REVISIONS	DATE
B Note 9 amended, Note 11 added	6/1/00
Internal Inlet Type D deleted	
A ORIGINAL ISSUE	8/12/95

© INSTITUTE OF PUBLIC WORKS ENGINEERING AUSTRALIA QUEENSLAND DIVISION INC. -1995  
**DISCLAIMER.** The authors and sponsoring organisations shall have no liability or responsibility to the user or any other person or entity with respect to any liability, loss or damage caused or alleged to be caused, directly or indirectly, by the adoption and use of these Standard Drawings including, but not limited to, any interruption of service, loss of business or anticipatory profits, or consequential damages resulting from the use of these Standard Drawings. Persons must not rely on these Standard Drawings as the equivalent of, or a substitute for, project-specific design and assessment by an appropriately qualified professional.



**ACCESS CHAMBERS**  
**1050mm NOM. DIA.**  
**PRECAST COMPONENTS**

**SEWERAGE**  
**Standard**  
**Drawing**  
**S-0021**