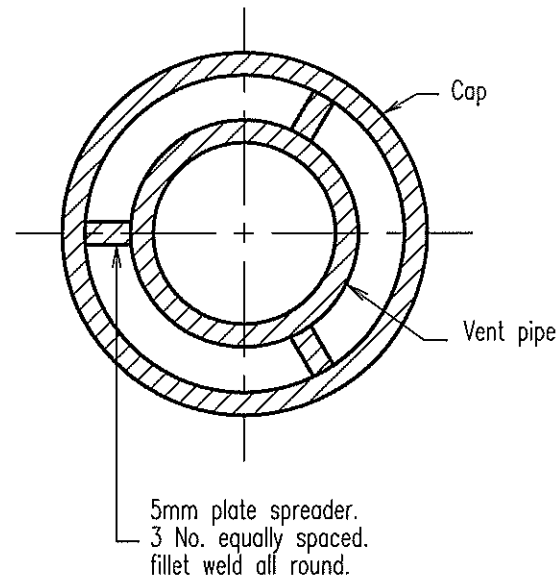
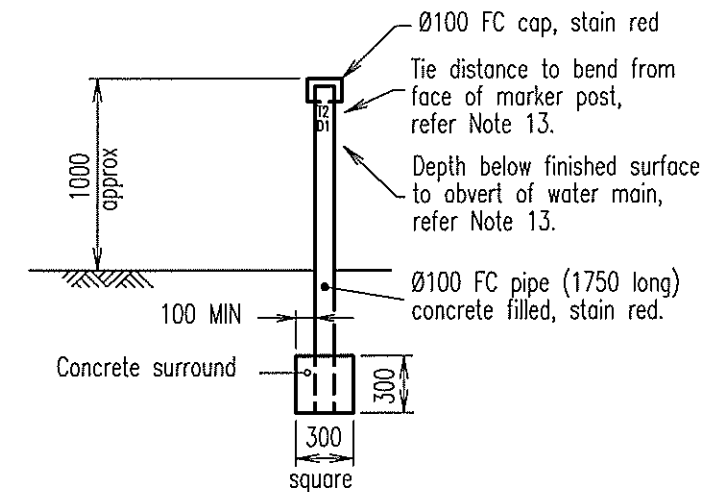


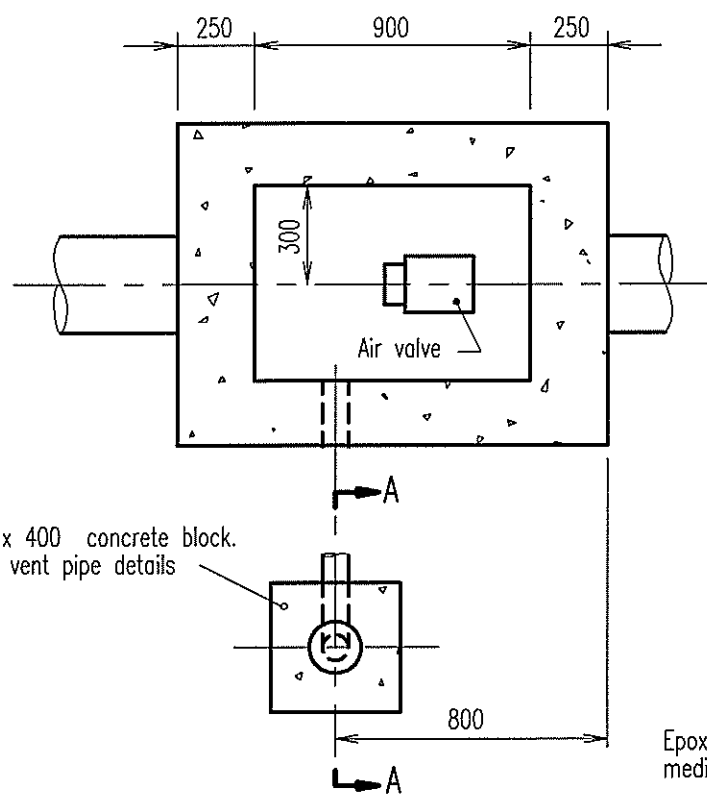
ELEVATION



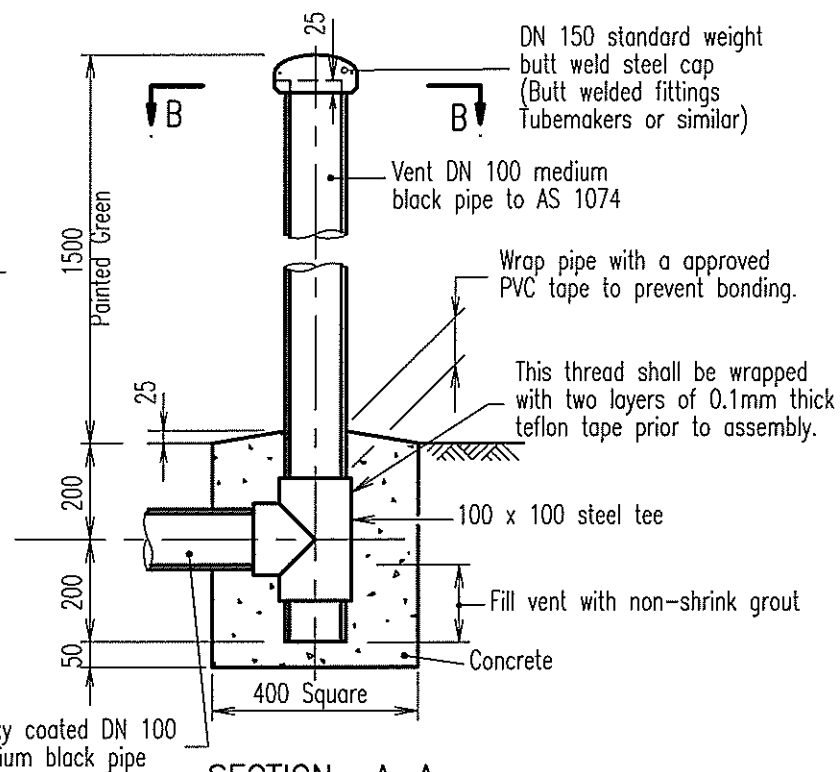
SECTION B-B



ELEVATION
WATER MAIN MARKER DETAIL



PLAN
VALVE PIT



SECTION A-A
VENT PIPE DETAILS

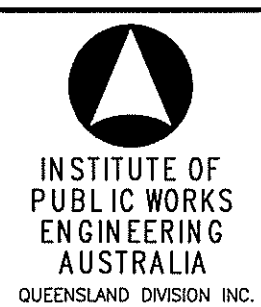
If specified in project documentation

NOTES

1. Approved Ø50 and Ø80 Air Valves, fitted with Ø80 butterfly valves for isolation purposes. The installation shall be such that the air valve can be removed while the butterfly valve remains in place.
2. Ø50 Air Valves shall be supplied with adaptor flange suitable for connection to the Ø80 DICL riser.
3. The full length of the DICL riser pipe including underground flanges shall be epoxy coated or wrapped with 'Denso' protective coating applied in accordance with the manufacturer's instructions.
 - (a) Denso 360 primer to clean metal;
 - (b) Wrap of cold applied Denso 760 tape;
 - (c) Wrap of Denso 931 self adhesive PVC tape.
4. Water mains Ø250 and smaller:-
Walls of pit to extend below pipe, provide 200mm space between water main and floor of pit.
5. Concrete N25 in accordance with AS 1379 and AS 3600.
6. Reinforcement fabric to AS 1304.
7. Provide a fine non-slip surface with a wood float to the top surface of all walls.
8. Refer project drawing for Vent pipe location.
Vent steelwork shall be painted with System Reference LP2-A to AS/NZS 2312.
9. Compacted sand backfill shall be brought up to the underside of the air valve pit.
10. Air valves shall be placed on the high point of all trunk mains.
11. All flanges shall be in accordance with AS 2129 - Table C unless noted otherwise on project drawings.
12. Position markers at changes of direction and all fence lines
13. Lettering on side of marker shall be positioned directly on line between marker and water main bend.
All lettering shall be painted yellow and shall be minimum 30 high x 20 wide.
14. All dimensions in millimetres.

A	ORIGINAL ISSUE	8/12/95
	REVISIONS	DATE

© INSTITUTE OF PUBLIC WORKS ENGINEERING AUSTRALIA QUEENSLAND DIVISION INC. -1995
DISCLAIMER. The authors and sponsoring organisations shall have no liability or responsibility to the user or any other person or entity with respect to any liability, loss or damage caused or alleged to be caused, directly or indirectly, by the adoption and use of these Standard Drawings including, but not limited to, any interruption of service, loss of business or anticipatory profits, or consequential damages resulting from the use of these Standard Drawings. Persons must not rely on these Standard Drawings as the equivalent of, or a substitute for, project-specific design and assessment by an appropriately qualified professional.



AIR VALVE PIT
Ø50 AND Ø80 AIR VALVES

WATER
Standard
Drawing
W-0010