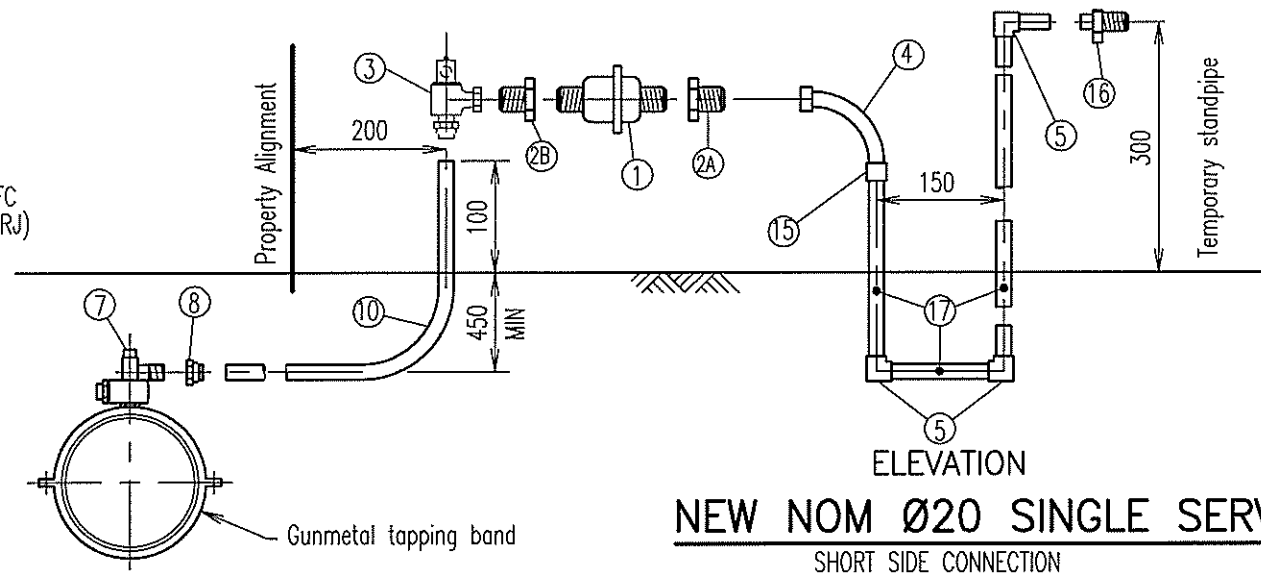
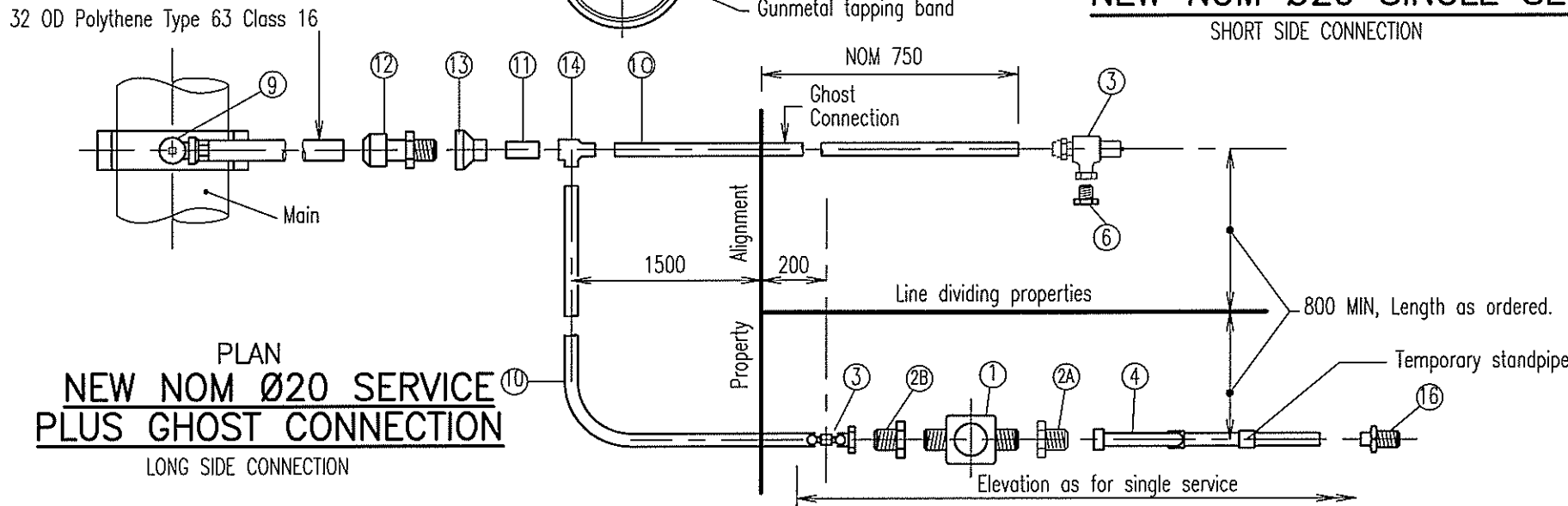


**LEGEND**

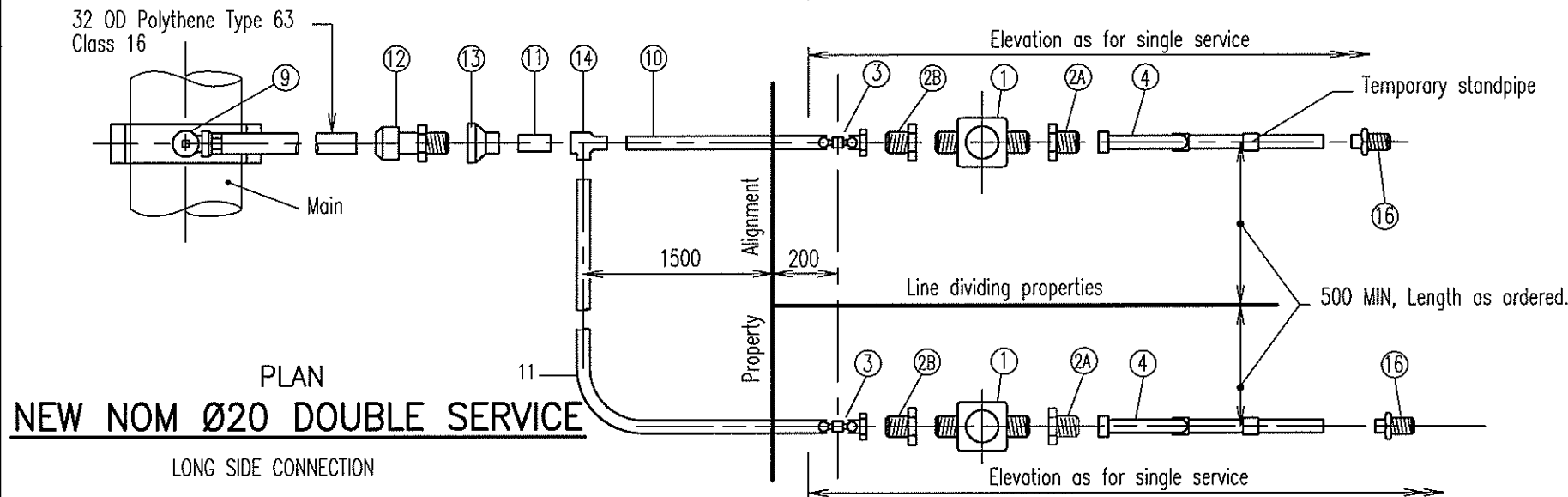
- 32 Polyethylene water service Type 63 Class 16
- SC Service conduit 100 DIA Class 12 uPVC or 100 DIA concrete/FC pipes (S & F) Class C or S (RRJ)
- \* NOM kerb line



**NEW NOM Ø20 SINGLE SERVICE**  
SHORT SIDE CONNECTION



**PLAN NEW NOM Ø20 SERVICE PLUS GHOST CONNECTION**  
LONG SIDE CONNECTION

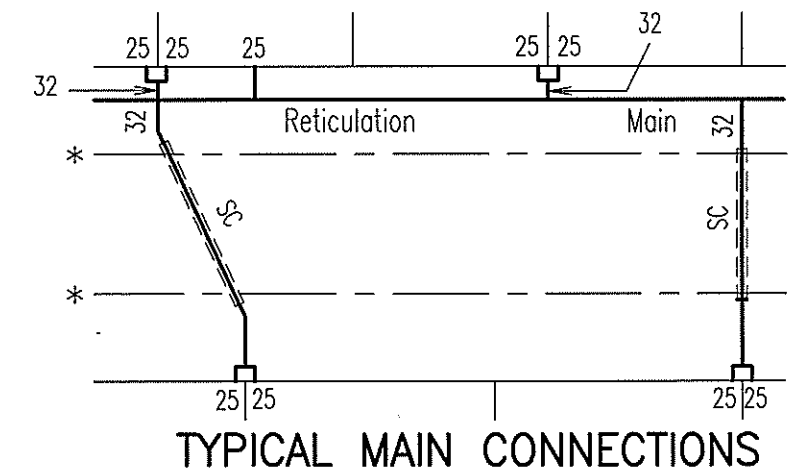


**PLAN NEW NOM Ø20 DOUBLE SERVICE**  
LONG SIDE CONNECTION

MARK NO	DESCRIPTION
1.	20mm Water Meter. Dimensions to AS 3565 Fig 1.1
2A.	Meter tail piece with 20mm BSP-MI end, supplied with meter
2B.	As above except pre-drilled to suit wire seal.
3.	Rt. angled 20mm ball valve
4.	20mm 90° gunmetal bend
5.	20mm 90° uPVC elbow solvent cement joint
6.	20mm MI. BSP. end plug.
7.	20mm TPNFR ferrule stop cock
8.	20mm ferrule capillary adaptor.
9.	25mm x 32mm OD poly TPNFP bonnet poly ferrule stop cock.
10.	20mm OD Type A annealed copper tube
11.	25mm OD Type A hard drawn copper tube, 50mm long.
12.	32mm OD poly x 25 MI BSP connector
13.	25mm capillary x 25 FI BSP connector
14.	25mm OD X 20mm OD X 20mm OD capillary tee.
15.	20mm Cat. 18 Female iron connector
16.	20mm SP x 15 MI BSP PVC adaptor (Note - provided with thread to suit tap)
17.	20mm uPVC pipe or annealed copper tubing.

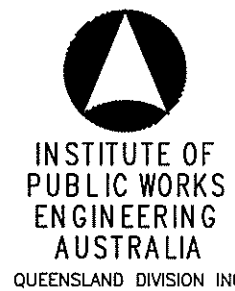
**NOTES**

- Copper tubing and connectors
  - (a) All copper tubing shall be in accordance with AS 1432.
  - (b) All capillary and compression fittings shall be in accordance with AS 3688.
  - (c) All capillary fittings shall have long engagement sockets.
- Polythene pipe and connectors
  - (a) All polythene pipe shall be MDPE Type 63 Class 16 in accordance with AS 4130 (interim) - 1993.
  - (b) All mechanical joint fittings shall be in accordance with AS 1460.
- Cross road services shall be located 800mm downhill from dividing allotments so as not to conflict with electrical supply authority poles.
- Ghost connections shall be laid flat and buried.
- All dimensions in millimetres.



**TYPICAL MAIN CONNECTIONS**

© INSTITUTE OF PUBLIC WORKS ENGINEERING AUSTRALIA QUEENSLAND DIVISION INC. -1995  
**DISCLAIMER.** The authors and sponsoring organisations shall have no liability or responsibility to the user or any other person or entity with respect to any liability, loss or damage caused or alleged to be caused, directly or indirectly, by the adoption and use of these Standard Drawings including, but not limited to, any interruption of service, loss of business or anticipatory profits, or consequential damages resulting from the use of these Standard Drawings. Persons must not rely on these Standard Drawings as the equivalent of, or a substitute for, project-specific design and assessment by an appropriately qualified professional.



**WATER CONNECTIONS**  
**SINGLE, DOUBLE AND GHOST**  
**ABOVE GROUND METER**

**WATER**  
Standard Drawing  
**W-0090**

A	ORIGINAL ISSUE	8/12/95
	REVISIONS	DATE